



MR16 LED

10MR16/END/F35 3000 DIM 10/1

Philips MR16 Dimmable LED Lamps provide ambient level light to illuminate hard to maintain applications. Increased transformer compatibility allows for operation on a wider range of transformers. Available in dimmable and non-dimmable versions, these lamps are ideal for track and open recessed fixtures in retail, hospitality and residential spaces.



PHILIPS

MR16 LED

Product data

• General Characteristics

Cap-Base	GU5.3
Bulb	MR16 [MR 16inch/50mm]
Rated Avg. Life (Hours)	25000 hr
Nominal Lifetime hours	25000 hr

• Light Technical Characteristics

Color Code	WH
Color Designation	White
Beam Angle	35 D
Beam Description	- [-]
Correlated Color Temperature	3000 K
Approximate Lumens	490 Lm
Approx. MBCP	1300 cd
CRI	80
Luminous Efficacy Lamp	49.00 Lm/W
Color Temp. (Kelvin)	3000 K [CCT 3000K]
Rated Luminous Flux	490 Lm
LLMF - end nominal lifetime	70 %
Colour consistency	6 steps
Rated Beam Angle	35 D

• Electrical Characteristics

Wattage	10 W
Wattage Technical	10 W
Voltage	12 V
Line Frequency	50-60 Hz
Power Factor	0.8 -
Lamp Current mA	1078 mA
Dimmable	Yes

Wattage Equivalent	50 W
Rated Wattage	10 W
Starting Time	0.5 (max) s
Warm-up Time to 60% Light Outp	instant full light
Suitable for accent lighting	No

• Temperature Characteristics

• Environmental characteristics

Energy Efficiency Label (EEL)	A
-------------------------------	---

• Measuring Conditions

Switching cycle	50000X
-----------------	--------

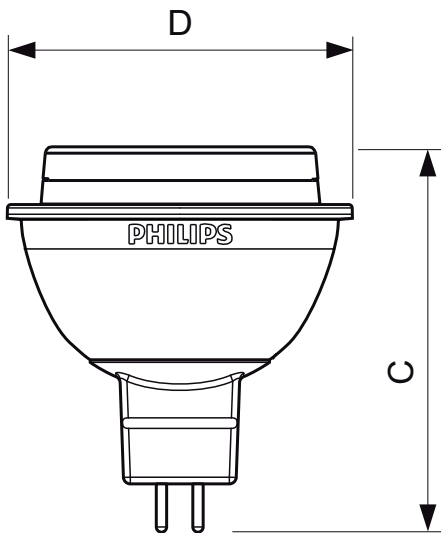
• Product Dimensions

Overall Length C	50.2 mm
Diameter D	50 mm

• Product Data

Product number	420190
Full product name	10MR16/END/F35 3000 DIM 10/1
Short product name	10MR16/END/F35 3000 DIM 10/1
Pieces per Sku	1
eop_pck_cfg	10
Skus/Case	10
Bar code on pack	46677420192
Bar code on case	50046677420197
Logistics code(s)	929000219604
eop_net_weight_pp	0.035 kg

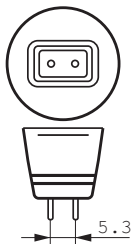
Dimensional drawing



10MR16/END/F35 3000 DIM 10/1

Product	C (Norm)	D (Norm)
LED 10W 3000K 12V 35D	50.2	50

Dimensional drawing



GU5.3



© 2014 Koninklijke Philips N.V. (Royal Philips)
All rights reserved.

Specifications are subject to change without notice. Trademarks are the property of Koninklijke Philips N.V. (Royal Philips) or their respective owners.

www.philips.com/lighting

2014, March 30
data subject to change