



# PAR30 LED with AirFlux Technology

13PAR30S/END/F25 2700 DIM SM 6/1

Philips PAR30 Dimmable LED Lamps with AirFlux Technology provide optimal thermal efficiency in a sleek, lightweight design.

## Product data

### • General Characteristics

Cap-Base	E26
Bulb	PAR30S [PAR30S mm]
Bulb Finish	White
Rated Avg. Life (Hours)	45000 hr
Nominal Lifetime hours	45000 hr

Dimmable	Yes
Wattage Equivalent	75 W
Rated Wattage	13.0 W
Starting Time	0.5 s
Warm-up Time to 60% Light Outp	instant full light
Suitable for accent lighting	Yes

### • Light Technical Characteristics

Color Code	WW
Color Designation	Warm White
Beam Angle	25 D
Beam Description	25D [Medium beam]
Correlated Color Temperature	2700 K
Approximate Lumens	720 Lm
Approx. MBCP	3000 cd
CRI	80
Luminous Efficacy Lamp	55.38 Lm/W
Color Temp. (Kelvin)	2700 K [CCT 2700K]
Rated Luminous Flux	720 Lm
LLMF - end nominal lifetime	70 %
Colour consistency	6 steps
Rated Beam Angle	25 D

### • Temperature Characteristics

T-case maximum	71 C
----------------	------

### • Environmental characteristics

Energy Efficiency Label (EEL)	A
-------------------------------	---

### • Measuring Conditions

Switching cycle	50000X
-----------------	--------

### • Product Dimensions

Overall Length C	88.8 mm
Overall Length C [inch]	3.50 (max) in
Diameter D	92 mm

### • Electrical Characteristics

Wattage	13 W
Wattage Technical	13 W
Voltage	120 V
Line Frequency	60 Hz
Power Factor	0.8 -
Lamp Current mA	150 mA

### • Product Data

Product number	423442
Full product name	13PAR30S/END/F25 2700 DIM SM 6/1
Short product name	13PAR30S/END/F25 2700 DIM SM 6/1
Pieces per Sku	1



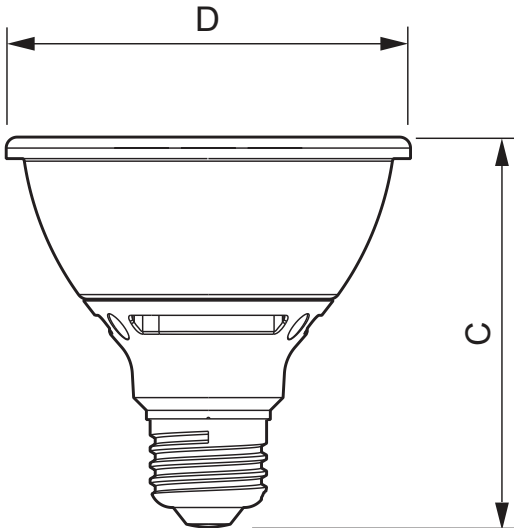
# PHILIPS

## PAR30 LED with AirFlux Technology

eop\_pck\_cfg 6  
Skus/Case 6  
Bar code on pack 46677423445

Bar code on case 50046677423440  
Logistics code(s) 929000228404  
eop\_net\_weight\_pp 0.310 kg

### Dimensional drawing



### 13PAR30S/END/F25 2700 DIM SM 6/1

Product	C (Norm)	C1 (Max)	D (Norm)	D1 (Norm)
LED 13W 2700K 120V PAR30S 25D	88.8	3.50	92	3.62



E26



© 2014 Koninklijke Philips N.V. (Royal Philips)  
All rights reserved.

Specifications are subject to change without notice. Trademarks are the property of Koninklijke Philips N.V. (Royal Philips) or their respective owners.

[www.philips.com/lighting](http://www.philips.com/lighting)

2014, April 8  
data subject to change